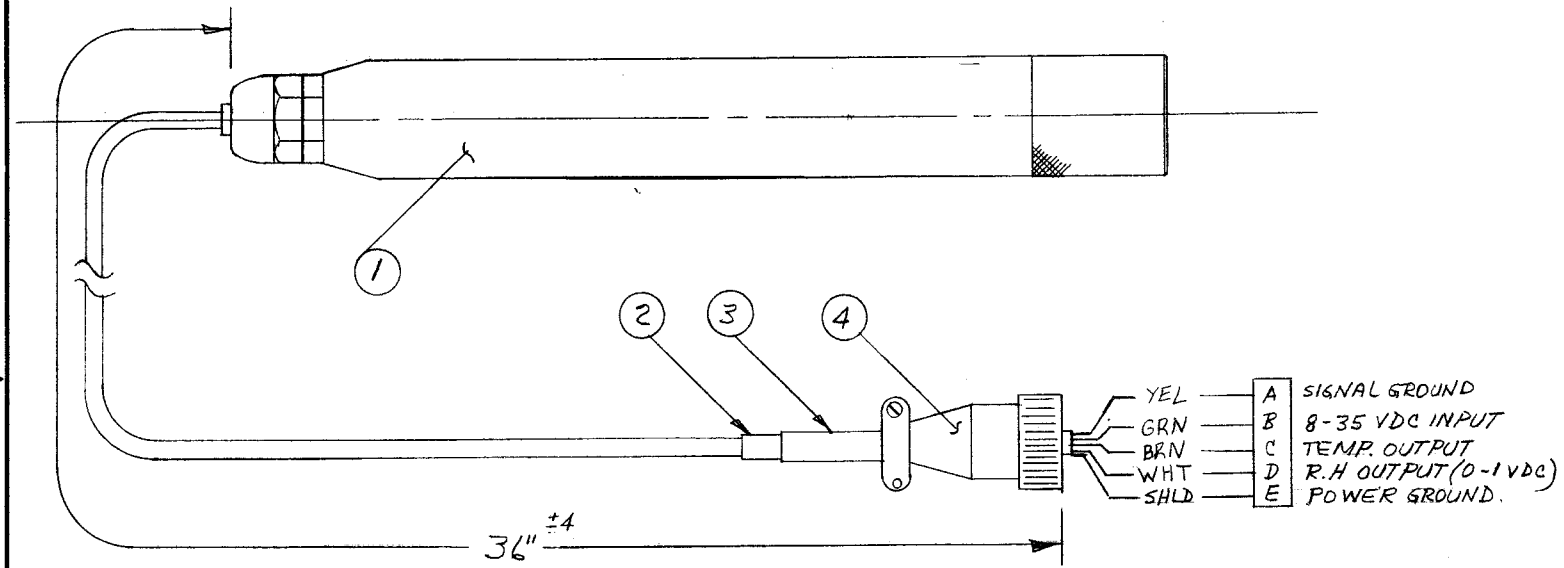


DWG. NO. 101812 SH / REV

REVISIONS			
REV.	DESCRIPTION	DATE	APPROVED
A	ECN NO. 4045	4-18-91	SC
B	ECN NO. 4605	8-17-94	S.F.
C	ECN NO. 4613	10-25-94	S.F.
D	ECN NO. 4744	6-17-97	M.H.



DRAWING 78517 FORM 1 0899

UNLESS OTHERWISE SPECIFIED DIMENSIONS ARE IN INCHES TOLERANCES ARE: FRACTIONS DECIMALS ANGLES ± .05 .001 .001 ± ± ± ± ± ±		CONTRACT NO.									
		APPROVALS	DATE								
MATERIAL	—	DRAWN	S. FRANGIS	6-1-90	R.H. PROBE ASSEMBLY. (ROTTRONIC)						
FINISH	—	CHECKED	<i>[Signature]</i>	6-1-90							
NEXT ASSY	USED ON	DATE	<i>[Signature]</i>	6-5-90							
APPLICATION		DO NOT SCALE DRAWING		SIZE	B	FSCM NO.	52332	DWG. NO.	101812	REV.	D
				SCALE				SHEET 1 OF 2			

RH CAPACITIVE ELEMENT (R)
P/N 101812 Rev D
PARTS LIST
Sheet 2 of 2

ITEM	SYM.NO	QTY	PART NO.	DESCRIPTION
1		0.0	101812G	SEE G LIST
2		1.0	MS3420-4	#4 BOOT
3		1.0	MS3420-6	#6 BOOT
4		1.0	MS3101F14S-5P	CONNECTOR, RECEPTACLE

SEE G LIST
P/N 101812G Rev B
PARTS LIST
Sheet 1 of 1

ITEM	SYM.NO	QTY	PART NO.	DESCRIPTION
		1.0	101812G0	TMP -30 to 70C/RH 0-100 = 0-1V
		1.0	101812G1	TMP -50 to 150C/RH 0-100=0-1V
		1.0	101812G2	TMP -40 to 70C/RH 0-100 = 0-1V
		1.0	101812G3	TMP -40 TO 60C/RH 0-100 = 0-1V

TMP -30 to 70C/RH 0-100 = 0-1V
P/N 10181200 Rev A
PARTS LIST
Sheet 1 of 1

ITEM	SYM.NO	QTY	PART NO.	DESCRIPTION
1		1.0	MP101A-C5-3070	ROTRONIC/TEMP HUMIDITY SENSOR

TMP -50 to 150C/RH 0-100=0-1V
P/N 101012G1 Rev B
PARTS LIST
Sheet 1 of 1

ITEM	SYM.NO	QTY	PART NO.	DESCRIPTION
1		1.0	MP101A-C5-50150	ROTRONIC TEMP/HUMIDITY SENSOR

TMP -40 to 70C/RH 0-100 = 0-1V
P/N 10181262 Rev -
PARTS LIST
Sheet 1 of 1

ITEM	SYM.NO	QTY	PART NO.	DESCRIPTION
------	--------	-----	----------	-------------

Notes: SPECIAL TEMPERATURE RANGE/OUTPUT
-40 to +70C = 0-1VDC

1.0	MP101A-C5-4070			ROTRONIC/TEMP HUMIDITY SENSOR
-----	----------------	--	--	-------------------------------

TMP -40 TO 60C/RH 0-100 = 0-1V
P/N 10181263 Rev -
PARTS LIST
Sheet 1 of 1

ITEM	SYM.NO	QTY	PART NO.	DESCRIPTION
		1.0	MF101A-C5-4060	ROTRONIC/TEMP HUMIDITY SENSOR