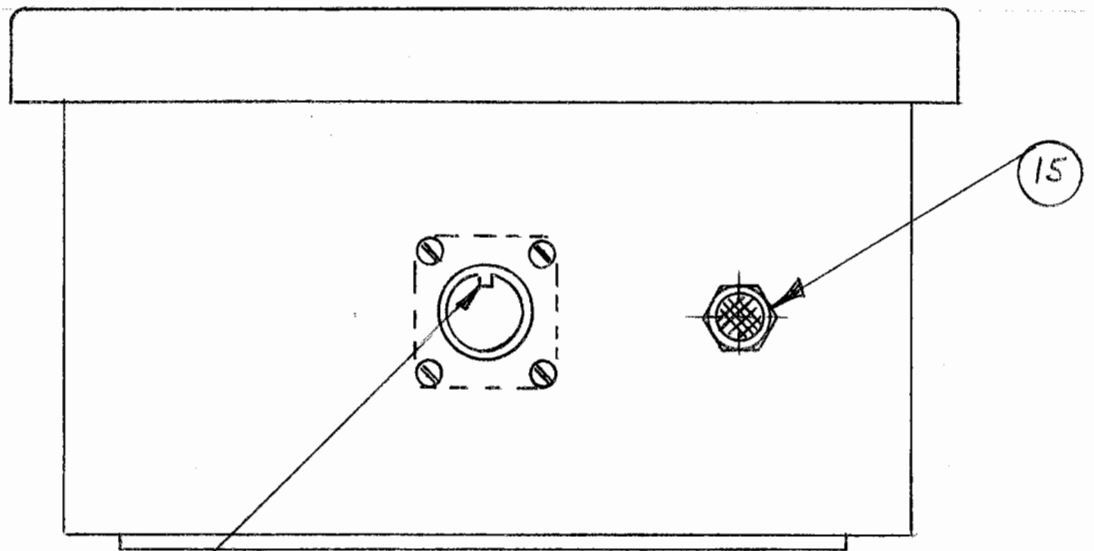
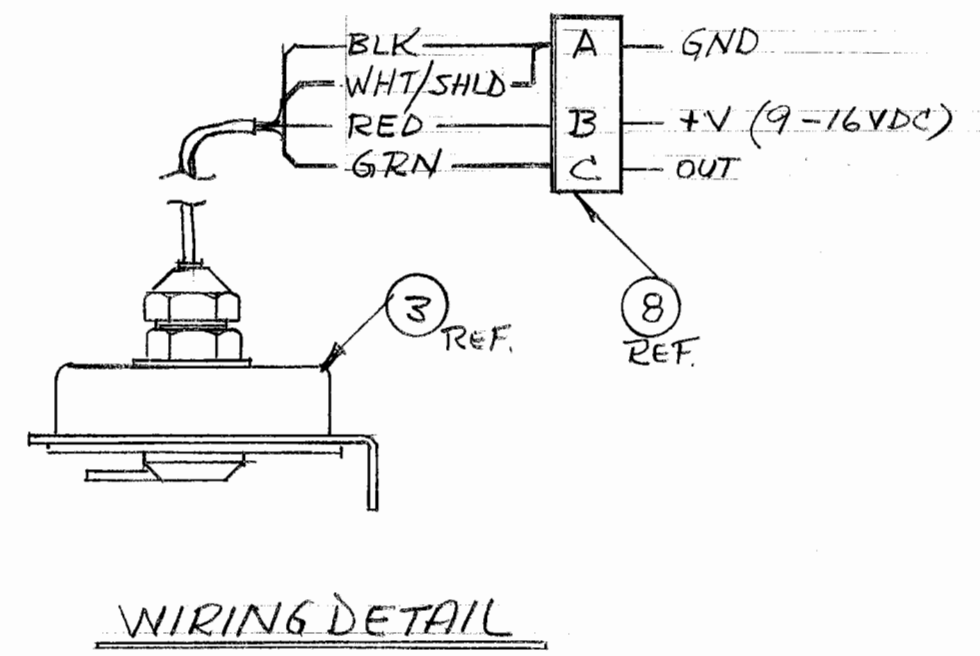
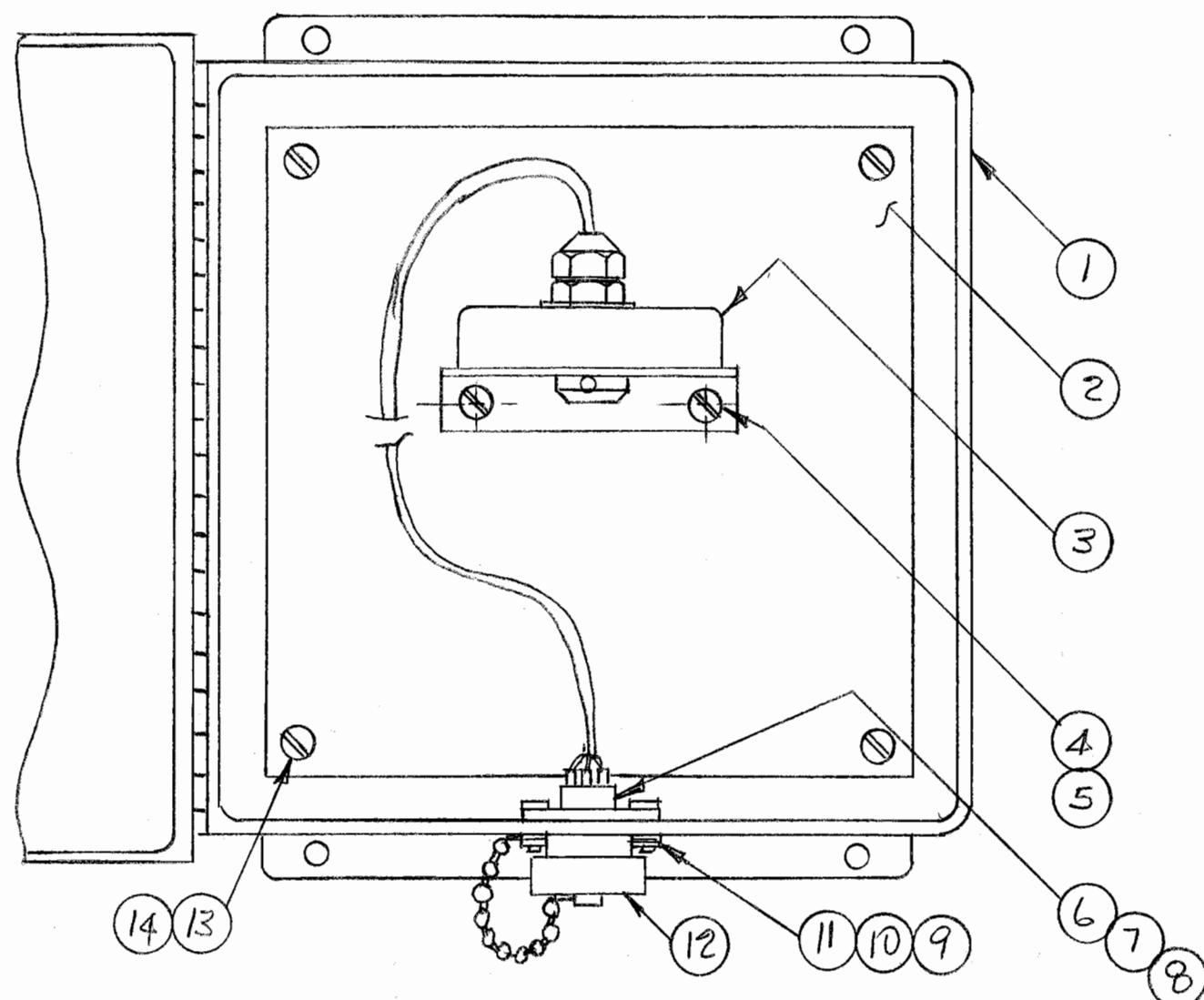


REVISIONS			
REV.	DESCRIPTION	DATE	APPROVED
A	ECN 4743	2/23/96	



NEXT ASSY	USED ON
APPLICATION	

UNLESS OTHERWISE SPECIFIED DIMENSIONS ARE IN INCHES TOLERANCES ARE: FRACTIONS DECIMALS ANGLES ± .XX ± .XXX ±		CONTRACT NO.		CLIMATRONICS	
MATERIAL		APPROVALS	DATE		
FINISH		DRAWN <i>S. FRODGA</i>	9-6-95	BAROMETRIC PRESSURE SENSOR ENCLOSURE ASSY.	
NEXT ASSY		CHECKED <i>R. NOLLI</i>	9-6-95	SIZE B	FSCM NO. 52332
USED ON		ISSUED <i>[Signature]</i>	9/21/95	DWG. NO. 102272	REV. A
APPLICATION		DO NOT SCALE DRAWING		SCALE $\frac{3}{4} = 1"$	SHEET 1 OF 2

BAROMETRIC PRESSURE SEN W/ENCL
P/N 102272 Rev A
PARTS LIST
Sheet 2 of 2

ITEM	SYM. NO	QTY	PART NO.	DESCRIPTION
1		1.0	500912	PANEL MOD PRESSURE ENCLOSURE
2		1.0	501447	PANEL, PRESSURE SENSOR MTG.
3		0.0	1022720	SEE 0 LIST
4		2.0	MS35338-137	WASHER LOCK SPLIT #8
5		2.0	MS51957-42	SCREW 8-32 x 5/16
6		0.0	PVC-103-10	TUBING, 10 AWG
7		1.0	10-40450-10	GASKET
8		1.0	MS3102R10SL-3P	CONNECTOR, RECEPTACLE
9		4.0	MS51957-16	SCREW 4-40 x 7/16
10		4.0	MS35338-135	WASHER, LOCK SPLIT #4
11		4.0	MS35649-244	NUT HEX 4-40
12		1.0	MS25043-10D	CAP & CHAIN ASSEMBLY
13		4.0	MS35338-138	WASHER LOCK SPLIT #10
14		4.0	MS51957-61	SCREW 10-32 X 3/8
15		1.0	4702-0002	VENT PLUG, 1/8 NPT

SEE G LIST
P/N 102272G Rev A
PARTS LIST
Sheet 1 of 1

ITEM	SYM. NO	QTY	PART NO.	DESCRIPTION
G0		1.0	102270-G0	PRESSURE SENS 600-1100 +/-2.75
G1		1.0	102270-G1	PRESSURE SENS 600-1100 +/-1.1
G2		1.0	102270-G2	PRESSURE SENS 800-1100 +/-2.75
G3		1.0	102270-G3	PRESSURE SENS 800-1100 +/-1.1