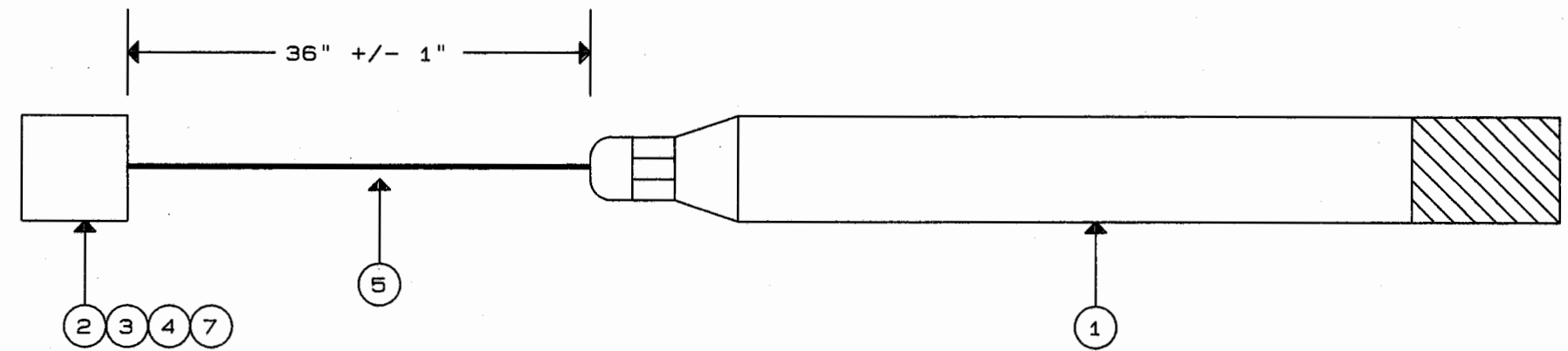


REVISIONS			
REV.	DESCRIPTION	DATE	APPROVED
A	ECN 4810	4-25-97	DA
B	ECN 5645	3-12-07	DA



SEE NOTE

NOTE:
 APPLY RTV ON INSIDE OF
 CONNECTOR BEFORE CLOSING

UNLESS OTHERWISE SPECIFIED DIMENSIONS ARE IN INCHES TOLERANCES ARE: FRACTIONS DECIMALS ANGLES ± .XX ± ± .XXX ±		CONTRACT NO.			
		APPROVALS	DATE		
MATERIAL		DRAWN	D. ADAMS	TEMPERATURE/HUMIDITY ASSEMBLY	
NOT APPLICABLE		CHECKED	RVN		
FINISH		ISSUED	TJS	SIZE	FSCM NO.
NOT APPLICABLE				B	52332
NEXT ASSY	USED ON			DWG. NO.	REV.
				102273	B
APPLICATION		DO NOT SCALE DRAWING		SCALE	SHEET 1 of 2

RELATIVE HUMIDITY ASSEMBLY
P/N 102273 Rev B
PARTS LIST
Sheet 2 of 2

ITEM	SYM. NO	QTY	PART NO.	DESCRIPTION
1		1.0	MP601A	METEOROLOGICAL PROBE
2		1.0	MS3101F16S-1P	CONNECTOR, RECEPTACLE
3		1.0	MS3420-8	#8 BOOT
4		1.0	MS3420-6	#6 BOOT
5		3.0	M13306	CABLE, 6 COND 22 AWG
6		0.0	102273G	SEE G LIST
7		1.0	GE-5000	SILICON ADHESIVE
		0.0	102273H	SEE H LIST

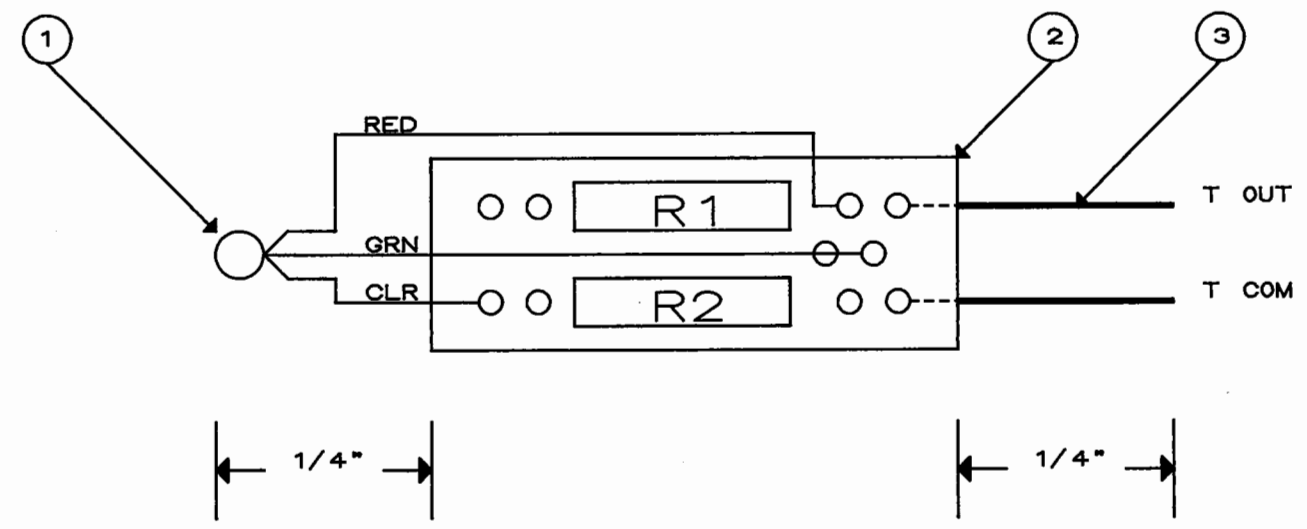
HUMIDITY ONLY SENSOR
P/N 10227300 Rev A
PARTS LIST
Sheet 1 of 1

ITEM	SYM.NO	QTY	PART NO.	DESCRIPTION
6		0.0	NONE	NONE

TEMPERATURE/HUMIDITY SENSOR
P/N 102273G1 Rev A
PARTS LIST
Sheet 1 of 1

ITEM	SYM.NO	QTY	PART NO.	DESCRIPTION
6		1.0	102282	DUAL ELEMENT TEMP SENSOR

REVISIONS			
REV.	DESCRIPTION	DATE	APPROVED



NOTES:

1. TEMPERATURE SENSOR WIRES TO BE INSTALLED FROM COMPONENT SIDE OF PCB.
2. BUSS WIRE TO BE INSTALLED FROM SOLDER SIDE OF PCB.

Océ Binding, Inc. 76547 Form 8179

UNLESS OTHERWISE SPECIFIED DIMENSIONS ARE IN INCHES TOLERANCES ARE: FRACTIONS DECIMALS ANGLES ± .XX ± ± .XXX ±		CONTRACT NO. 10763			
MATERIAL NOT APPLICABLE		APPROVALS	DATE	DUAL ELEMENT TEMPERATURE SENSOR	
FINISH NOT APPLICABLE		DRAWN RVN	10/95		
NEXT ASSY	USED ON	CHECKED DA	10/95	SIZE	FSCM NO.
	102273	ISSUED	<i>[Signature]</i>	B	52332
APPLICATION		DO NOT SCALE DRAWING		DWG. NO.	REV.
				102282	—
				SCALE	SHEET 1 of 2

DUAL ELEMENT TEMP SENSOR
P/N 102282 Rev
PARTS LIST
Sheet 2 of 2

ITEM	SYM.NO	QTY	PART NO.	DESCRIPTION
1		1.0	44010	PROBE, DUAL ELEMENT TEMP
2		1.0	401190	PC BOARD, TEMP PROBE
3		0.1	00-W-343-S-22	BUSS WIRE, #22 AWG
R1		0.0	NONE	NONE
R2		1.0	MAR5-T13-35.25K-	RES 35.25K .1%

SINGLE ELEMENT T/RH SENSOR
P/N 10227362 Rev A
PARTS LIST
Sheet 1 of 1

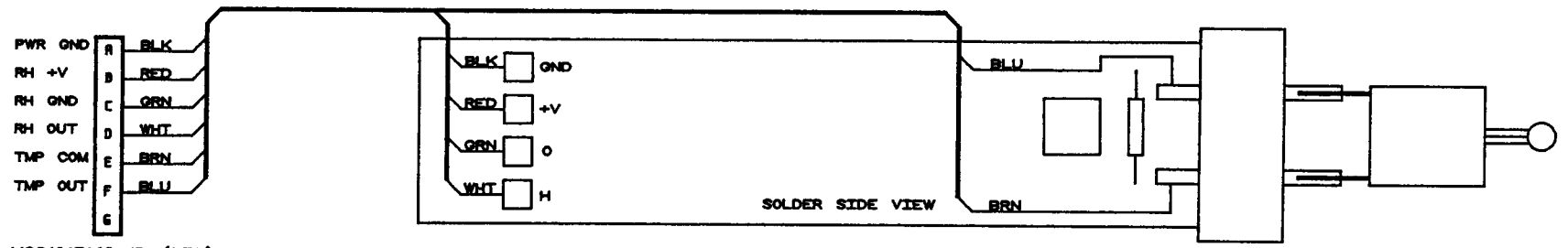
ITEM	SYM. NO	QTY	PART NO.	DESCRIPTION
6		1.0	44006	THERMISTOR, SINGLE BEAD 10K

SEE H LIST
P/N 102273H Rev
PARTS LIST
Sheet 1 of 1

ITEM	SYM.NO	QTY	PART NO.	DESCRIPTION
H0		0.0	401408	WIRING DIAGRAM (STANDARD)
H1		0.0	401409	WIRING DIAGRAM (100093/98)

REVISIONS			
REV.	DESCRIPTION	DATE	APPROVED
A	ECN 4725	12-15-95	DA

WIRING DETAIL



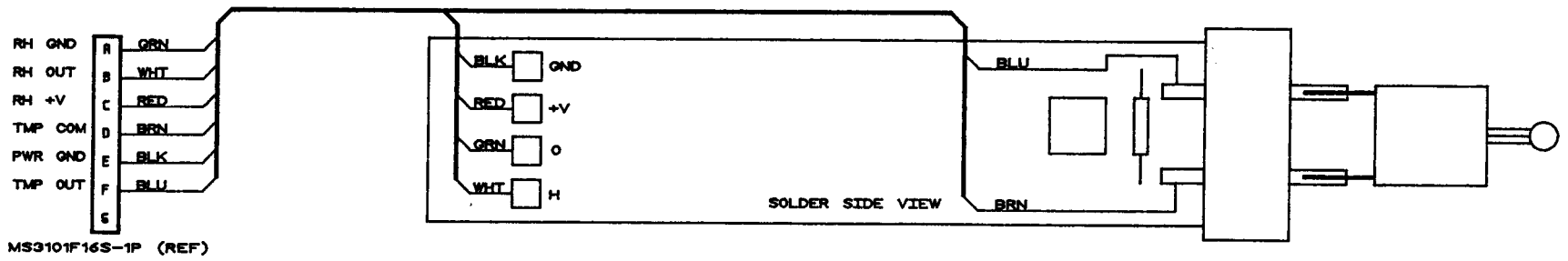
MS3101F16S-1P (REF)

		UNLESS OTHERWISE SPECIFIED DIMENSIONS ARE IN INCHES TOLERANCES ARE: FRACTIONS DECIMALS ANGLES ± .XX ± .XXX ±		CONTRACT NO.			
		MATERIAL NOT APPLICABLE		APPROVALS		DATE	
102273		FINISH NOT APPLICABLE		DRAWN D.ADAMS		11/95	
NEXT ASSY		USED ON		CHECKED R.NOLI		11/95	
APPLICATION		DO NOT SCALE DRAWING		ISSUED T.J.S		11/95	
				SIZE B		FSCM NO. 52332	
				DWG. NO. 401408		REV. A	
				SCALE		SHEET 1 of 1	

401408.WIR

REVISIONS			
REV.	DESCRIPTION	DATE	APPROVED
A	ECN 4725	12-15-95	DA

WIRING DETAIL



MS3101F16S-1P (REF)

		UNLESS OTHERWISE SPECIFIED DIMENSIONS ARE IN INCHES TOLERANCES ARE: FRACTIONS DECIMALS ANGLES ± .XX ± ±		CONTRACT NO.			
		MATERIAL NOT APPLICABLE		APPROVALS		DATE	
102273		FINISH NOT APPLICABLE		DRAWN D.ADAMS		11/95	
NEXT ASSY		USED ON		CHECKED R.NOLI		11/95	
APPLICATION		DO NOT SCALE DRAWING		ISSUED T.J.S		11/95	
				SIZE		FSCM NO.	
				B		52332	
				DWG. NO.		401409	
				SCALE		SHEET 1 of 1	
				REV.		A	

401409.WIR