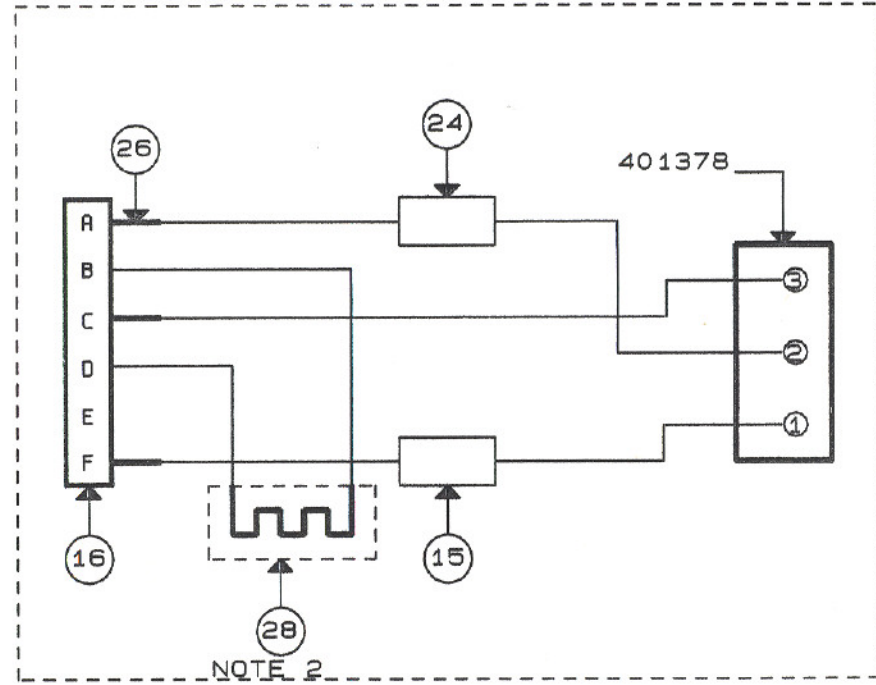
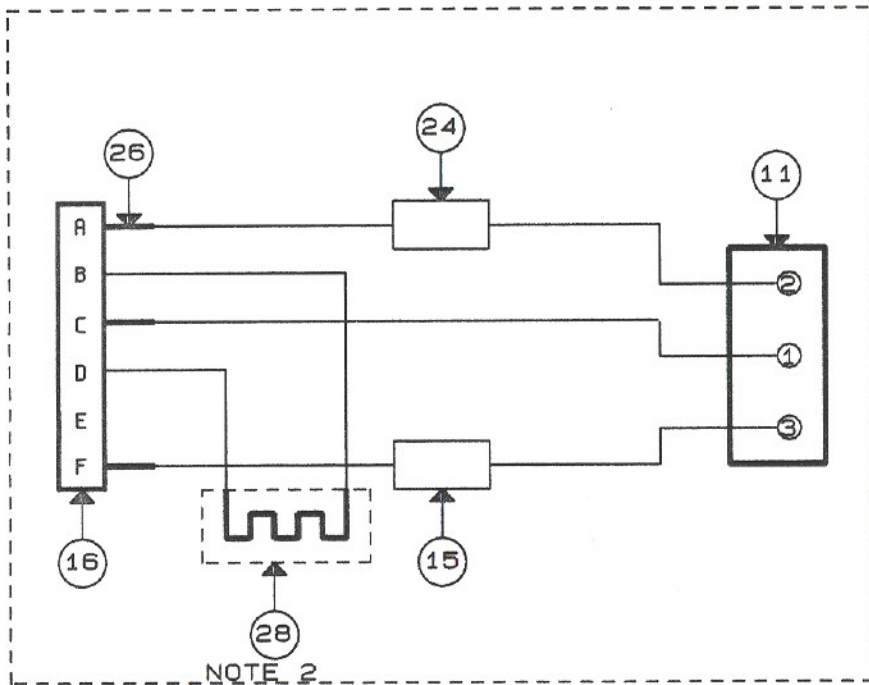


REVISIONS

REV.	DESCRIPTION	DATE	APPROVED

400568-3 POT WIRING

401378 POT WIRING



NOTE:

1. WIRE USED ON THIS ASSEMBLY IS 22 GA. WHITE/BLACK. 3" LG.
2. HEATER OPTION
3. ITEM 24 & 15 HAVE SMALL SERVICE LOOP.

ARESCO, HICKSVILLE, N. Y. - OGILVIE 86511

UNLESS OTHERWISE SPECIFIED DIMENSIONS ARE IN INCHES TOLERANCES ARE: FRACTIONS    DECIMALS    ANGLES ±                    .XX ±                    °		CONTRACT NO.		<b>CLIMATRONICS</b> <small>CORPORATION</small>	
MATERIAL		APPROVALS	DATE		
FINISH		DRAWN D. ADAMS	11/80	F460 WIND DIRECTION TRANS.	
NEXT ASSY		CHECKED	ISSUED		
USED ON		SIZE <b>A</b>		CAGE CODE <b>52332</b>	DWG. NO. 100076
APPLICATION		DO NOT SCALE DRAWING		SCALE	REV. T
				SHEET 2 of 4	