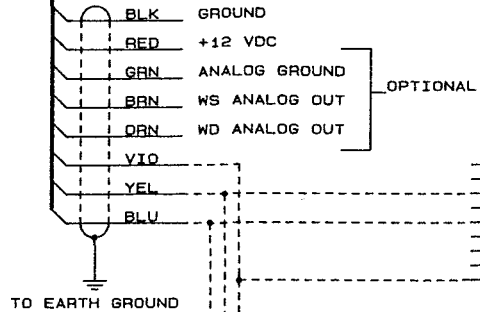
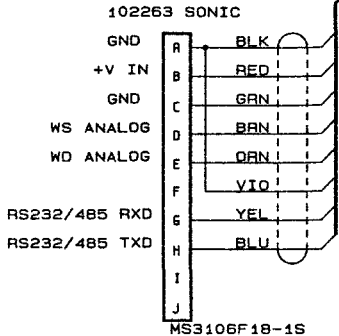


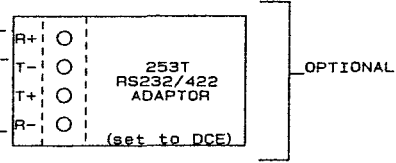
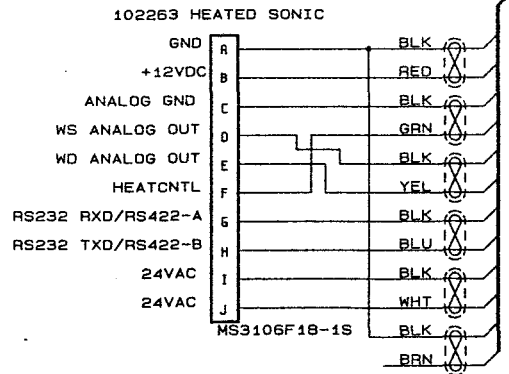
REVISIONS			
REV.	DESCRIPTION	DATE	APPROVED
A	INITIAL RELEASE ECN 5129	2-21-02	DA

M463B (REF)



M3176 (REF)

TO HEATER CONTROL BOX
SEE DRAWING 401425



NOTE:

1. BE SURE TO INSULATE UN-USED WIRES.
2. CABLE PART NUMBERS SHOWN FOR REFERENCE ONLY. SEE CONFIGURED PART FOR CABLE LENGTH.

ENGINEERING

40146A.WIR

UNLESS OTHERWISE SPECIFIED DIMENSIONS ARE IN INCHES TOLERANCES ARE: FRACTIONS DECIMALS ANGLES ± .XX ± ±		CONTRACT NO.			
MATERIAL NOT APPLICABLE		APPROVALS			
102286		DRAWN D. ADAMS		DATE 02/02	
FINISH NOT APPLICABLE		CHECKED JHR		DATE 02/02	
NEXT ASSY		USED ON		ISSUED TJS	
APPLICATION		DO NOT SCALE DRAWING		SCALE	
		SIZE B		FSCM NO. 52332	
		DWG. NO. 40146A		REV. A	
		SHEET 1 of 1			

